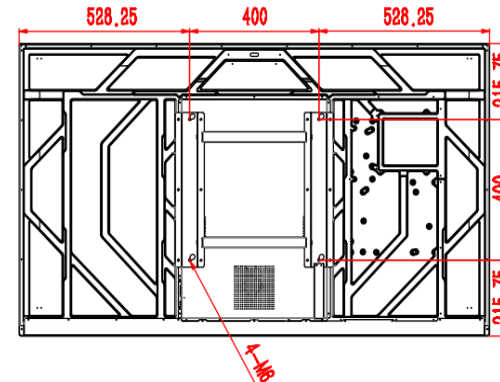
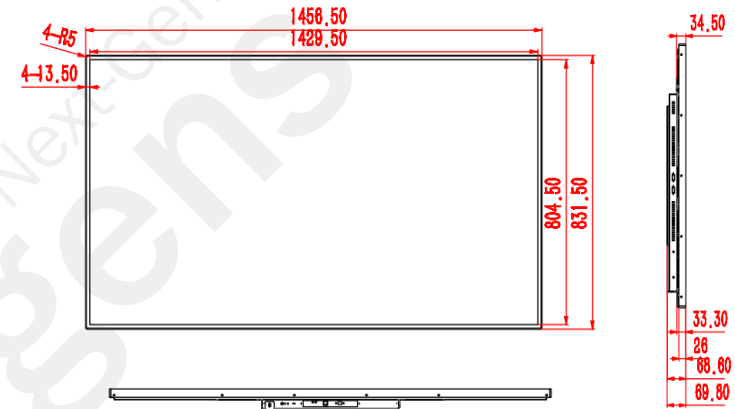


| Model / Product Name | | NC-A24D-65D / 65-inch Digital Signage Display |
|----------------------------|--|---|
| Screen Specification | Screen Size | 65-inch, IPS |
| | Display Area | 1429.50 x 804.50 mm |
| | Brightness | 350cd/m2 |
| | Backlight Type | LED |
| | Resolution | 1920 X 1080 |
| | Contrast Ratio | 1200:1 |
| | Viewing Angle | 178° Wide Viewing Angle |
| | Color Depth | 8 bits |
| | Response Time | 8 ms (typ) |
| | Backlight Lifespan | 50,000 hrs (typ.) |
| | OSD Display Orientation | Landscape |
| | Interface | Multi-language |
| | Speakers | Built-in 8Ω 5W x2 |
| Ports | HDMI*1 / USB 2.0*1 (USB Plug & Play) / TF Card*1 (Plug & Play) / Audio*1 | |
| Power Supply | AC100~240V, 50~60 Hz, 124W | |
| VESA | 40 x 40 cm | |
| System | RAM | 2G |
| | ROM | 32G |
| | GPU | Mali-G31 GPU |
| Supported Formats | Video | H.265 · H.264 · VP8 · MAV · WMV · AVS · H.263 · MPEG4 |
| | Image | JPEG · BMP · PNG |
| | Audio | MP3 · WMA · WAV · APE · FLAC · AAC · OGG · M4A · 3GPP |
| Product Dimensions | 171.06 x 99.53 x 8.56 cm | |
| Packaging Dimensions | 182 x 109.5 x 21 cm | |
| Net Weight | 30KG | |
| Gross Weight | 36KG | |
| Product Material | 3mm Tempered Glass Surface, Metal, Black Color | |
| Operating Temperature | -20-70°C | |
| Operating/Storage Humidity | 10-90% | |
| Storage Temperature | -40-70°C | |
| Accessories | Power cord (1.8m L-shaped), adapter, remote control, wall mount bracket. | |
| Specification Release Date | June 1, 2026 (For tender projects, please verify the latest specifications with Nugens.) | |



unit: mm